

RVE FENDER FLARES

INSTALLATION INSTRUCTIONS
FORD RANGER 2022+

V3.0 2023.03



R V E

Driven by Design

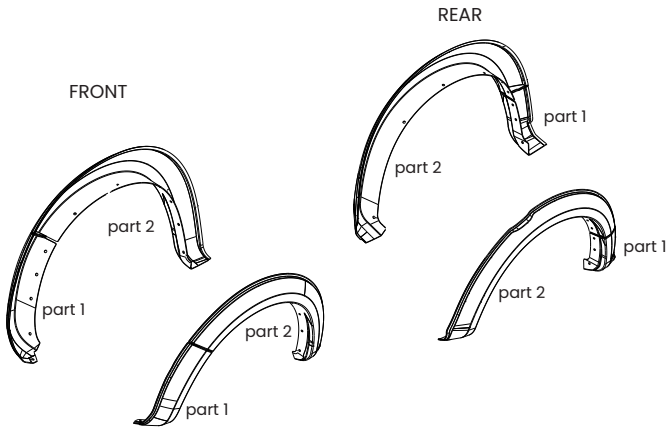




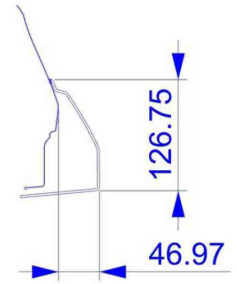
SECTION A

Component parts.

Fender Flares



Flare profile



Note: not all of these pieces will be required

	Self Tapping Screw 4x20mm.	14X
	Self Tapping Screw 5x20mm.	20X
	Clip spring	20X
	Grommet (Small)	6x
	Grommet (Big)	8x

Tools

- Cleaner
- Clean cloth
- Non permanent marker
- Clip removers
- Torx wrench T25
- Short philips screwdriver
- Wrench No.8 and No.10
- 3M Primer
- Dabber/Small brush
- Urethane - MS1
- Spare urethane nozzle (for step 12)
- Masking tape
- Stanley knife

SECTION B

Installation tips

1. Do not clean parts/surface with petrol or thinners as it may cause damage to parts.
2. Remove all jewelry such as rings and watches.
3. Be extremely careful not to damage any painted surfaces.
4. Clean and dry the area of installation.
5. After installation, please keep the vehicle out of rain/water for 24 hours.

6. When **painting/colour coding**, discard rubber edging before painting to make paint process easier. Manually fill the small gap between flares and body with urethane and clean off excess. Refer to step 12.

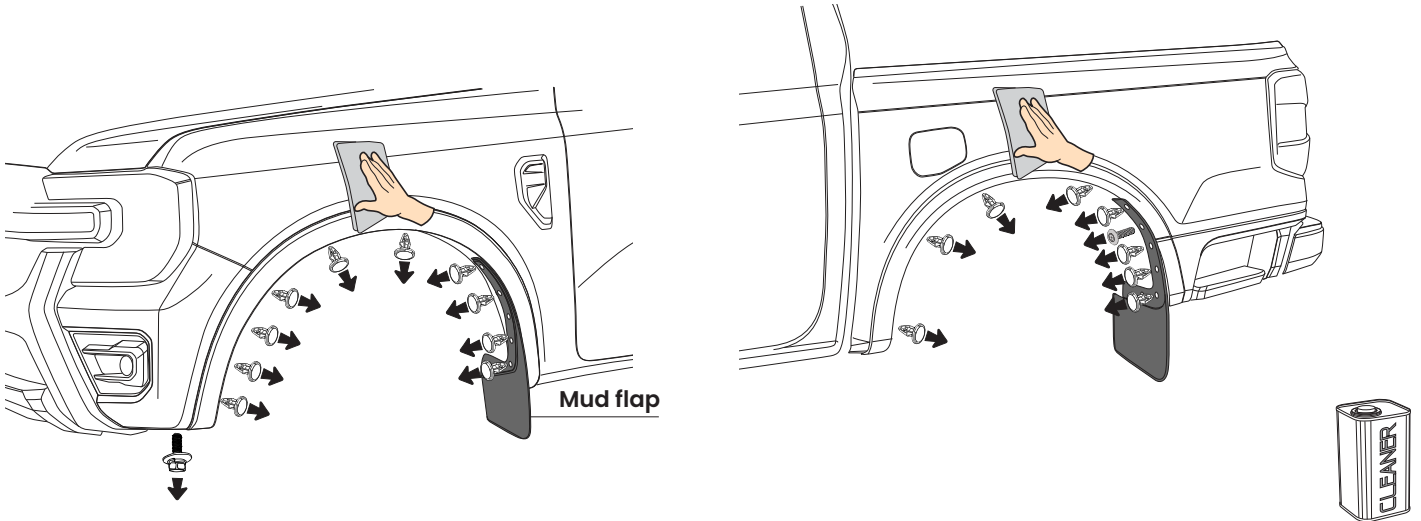


SECTION C

Installation

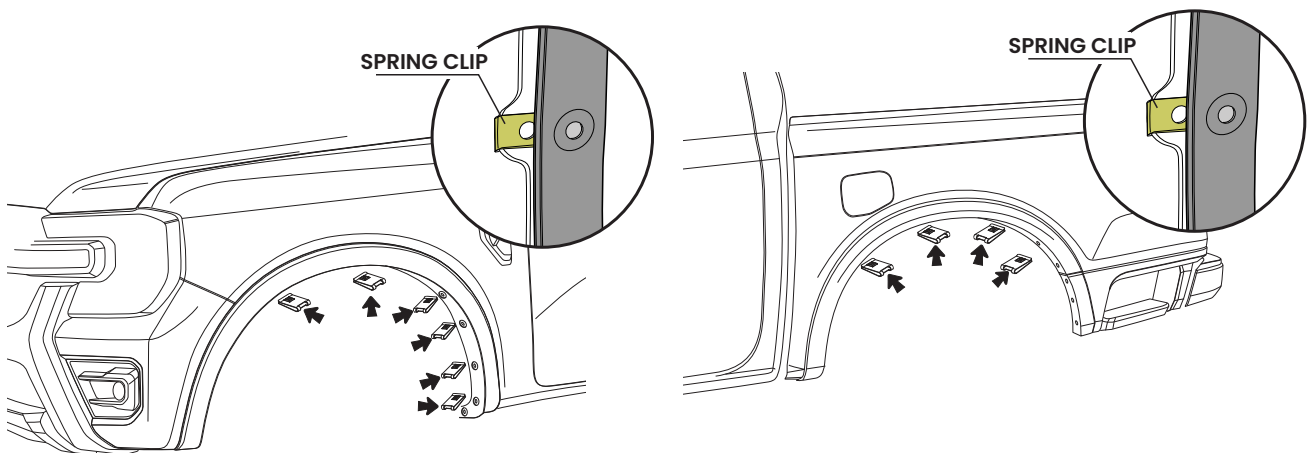
- 1 Remove original screws, plastic grommets and mud flaps, then clean the installation surface with alcohol or IPA. Wait until surface is dry before proceeding.

Tip> Turn wheels to access mudflap screws more easily



Note: If some plastic screw clips are not turning out, insert small flat screwdriver beside screw head and pry out. Most of these clips are not required later.

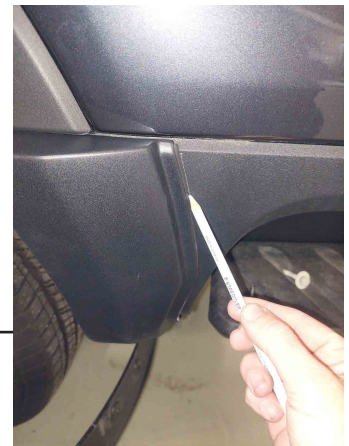
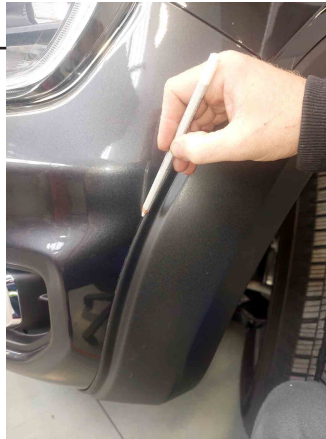
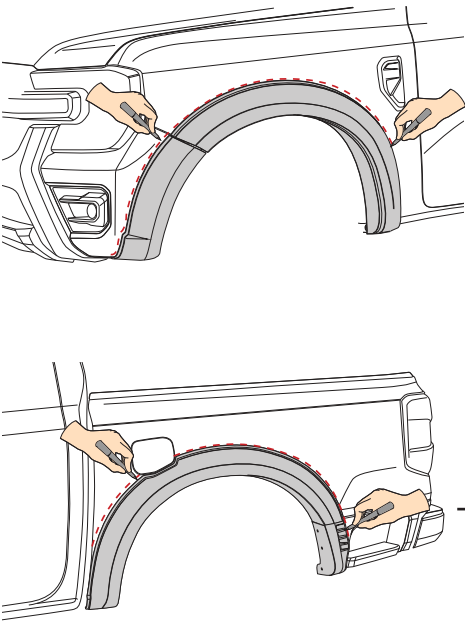
- 2 Install spring clips to the following holes.



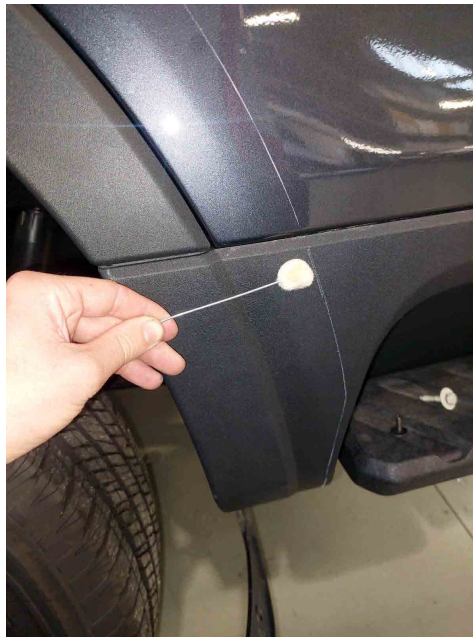


- 3 Place the new flare over the original fender trim, adjust position of separate pieces to ensure correct alignment before using a non permanent marker to mark the outer edge where the flare sits on the body. This is so you know where to apply primer.

Tip: You can use a couple of the factory clips to hold the flare in place while marking.

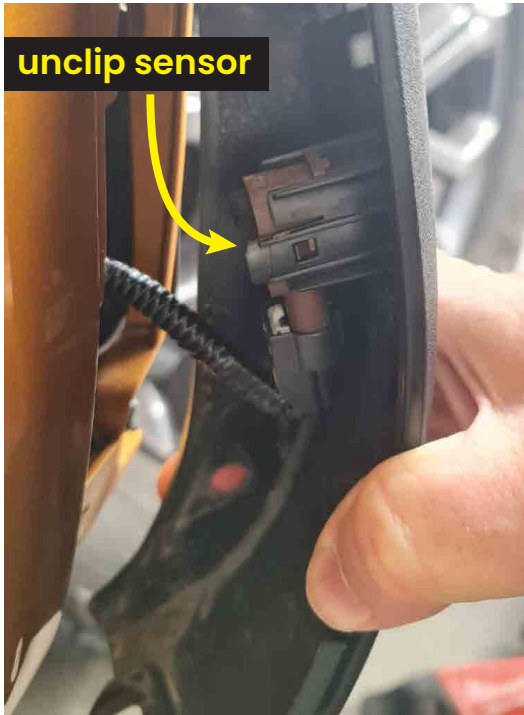


- 4 **IMPORTANT:** Brush the primer onto the vehicles paint, in the area that the self-adhesive tape will stick to, using 3M tape primer 94.



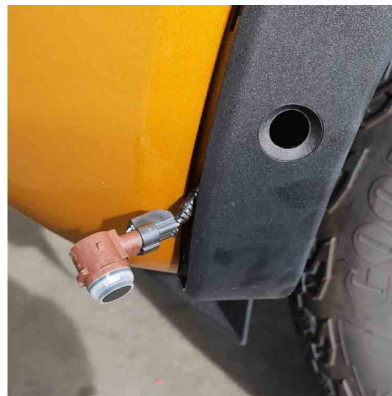


5 Steps 5 & 6 only applies to vehicles with sensor in front flares:



After removing the T25 torx screw under front edge carefully unclip the front portion of flare to gain access to the rear of the parking sensor. Unplug the wiring from the rear of the sensor and remove the original sensor head from the original sensor retainer.

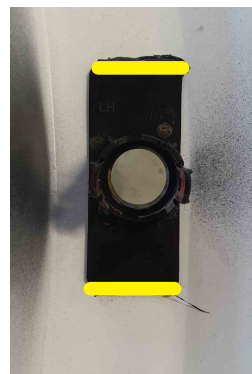
Reroute original wiring between the body and original arch trim.



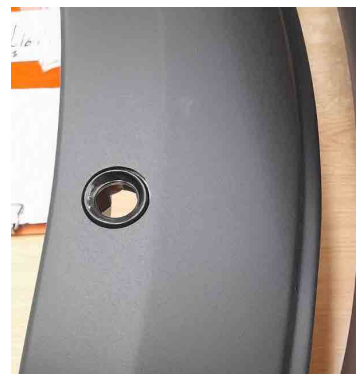
6 Take small front flares and clean inside around sensor hole then apply 3M Primer on inside around sensor hole. Allow primer to dry for 5-10min. Then stick sensor retainers into position.



Note: some retainers may need the top edge of the plastic trimming to ensure correct seating and clicking home of sensor into the retainer.



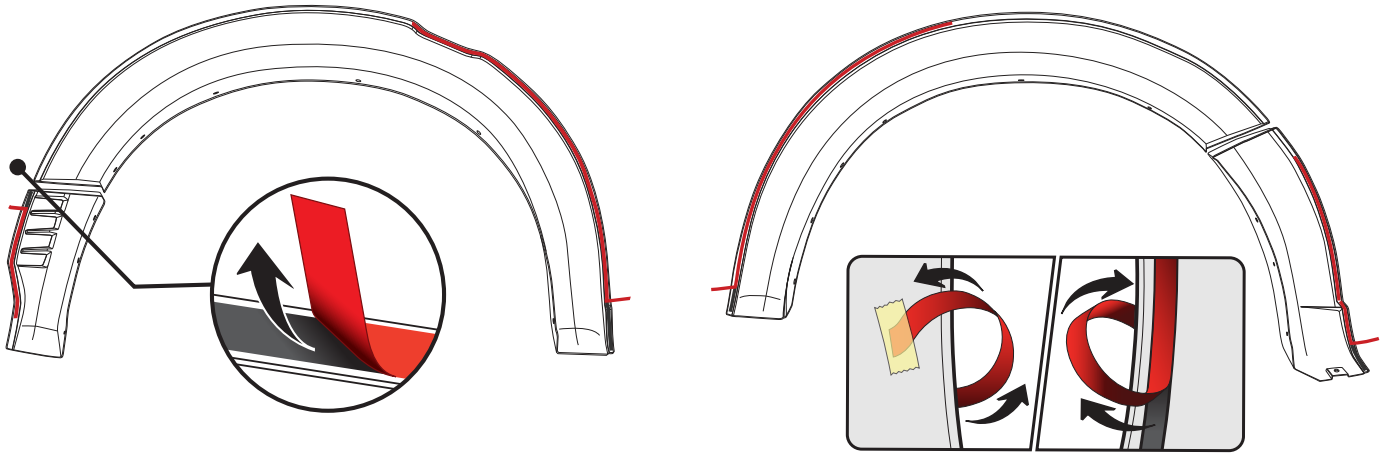
Apply small bead of urethane along top and bottom edge.



Note: Ensure positioning of retainer gives uniform gap around the outer lip of the sensor retainer.



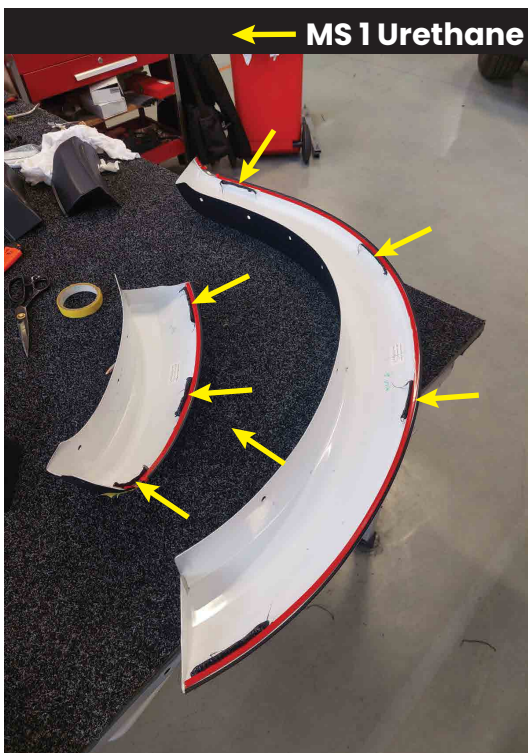
- 7 Peel off a small section of either end of adhesive tape backing, fold out and tape backing to face of flare.



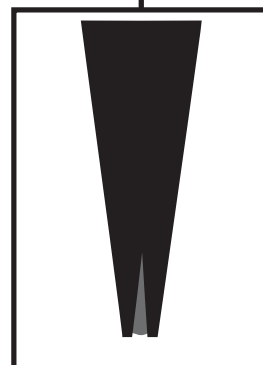
- 8 Urethane Guide – This applies to all flares:

NOTE: Do not start this urethane process until you get to steps 9 & 10

Place flares face down on a clean and soft surface taking care to protect painted flare. Apply liberal beads of MS1 Urethane on the inside edge of the 3M tape as per photo. This will adhere the flare directly to the guard and guarantee long term holding power.



Note: Failure to add urethane as per photo may result in declined warranty cover if flares fail to adhere to the body of the vehicle.

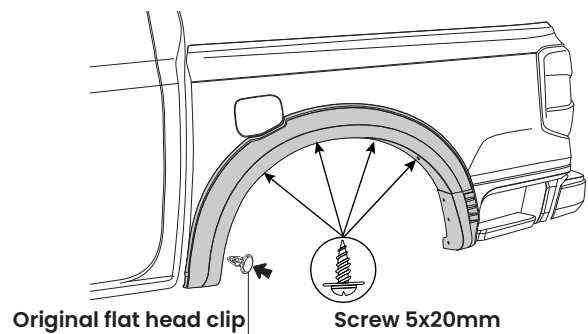
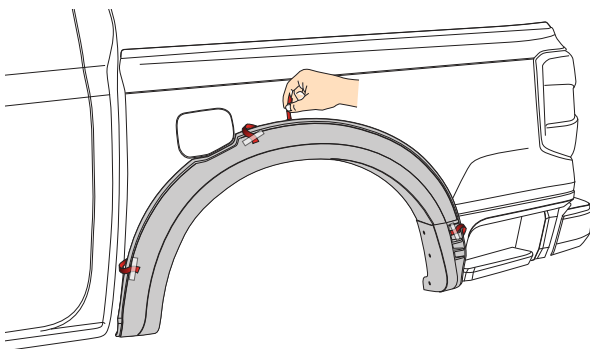


Cut the nozzle into a V-shape to create a tall bead of urethane. When applied, the urethane must stand taller than the 3M tape to ensure proper adhesion to the body of the vehicle.



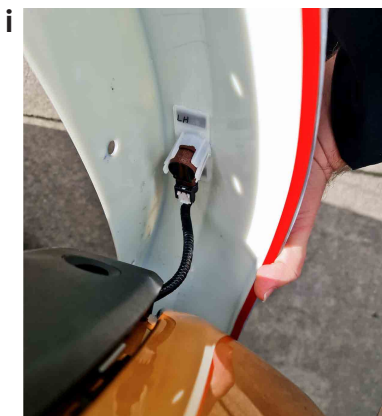
9 Rear Flares Install:

- a. Apply urethane to 1x large rear flare and put flare into place on vehicle. Use the pencil line as a guide. Loosely fasten screws and clips to hold the flare in place.
- b. Repeat step a. for small rear flare. Once happy with the positioning and gap between the flares, remove the tape backing and apply light pressure to adhesive tape area to bond flares into position.
- c. Repeat steps a. and b. for other side



10 Front Flares Install:

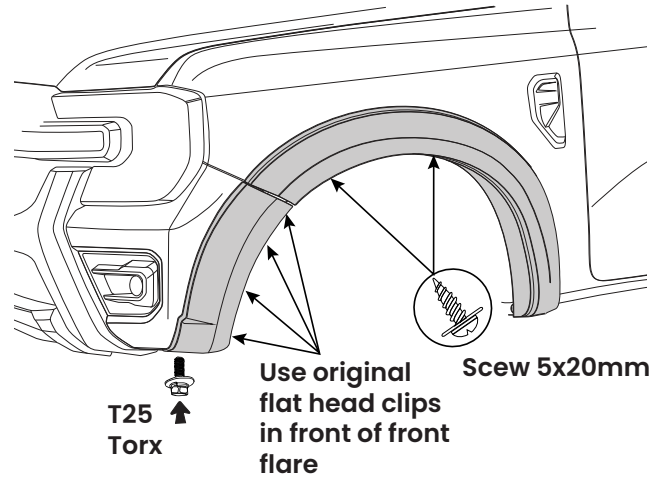
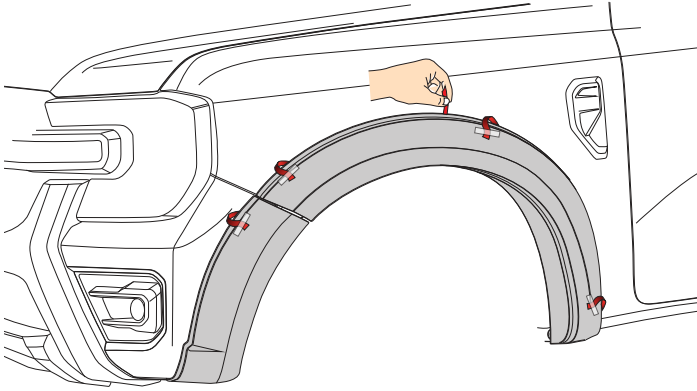
- a. Apply urethane to 1x large front flare and put flare into place on vehicle. Use the pencil line as a guide. Loosely fasten screws and clips to hold the flare in place.
- b. Repeat step a. for small front flare. NOTE: if there is a sensor, leave sensor plugged into vehicle. Hold flare very close to body (careful not to get urethane on body) and clip sensor into place on the flaresⁱ. Now press the flare into place. Once happy with the positioning and gap between the flares, remove the tape backing and apply light pressure to adhesive tape area to bond flares into position.
- c. Repeat steps a. and b. for other side



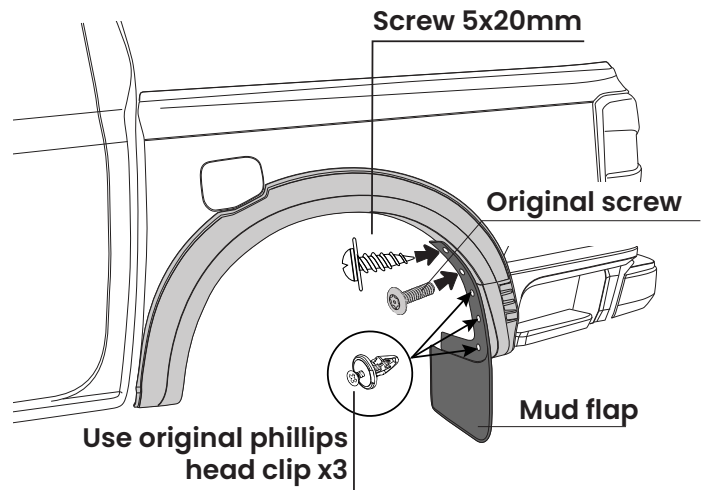
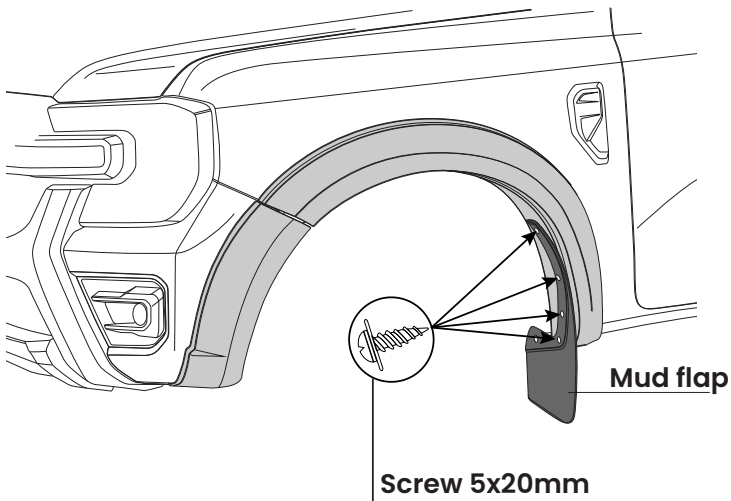
Clip sensors into rear of flare retainer and plug in original wiring.



RVE FENDER FLARES INSTALLATION INSTRUCTIONS



- 11** Install original mudflaps. Then fully tighten all clips and screws to firmly secure flares





SECTION D

Extra Step for Painted/Colour coded flares only.

12

This step is optional. It will take extra time and is messy to apply but will result in a nicer finish.



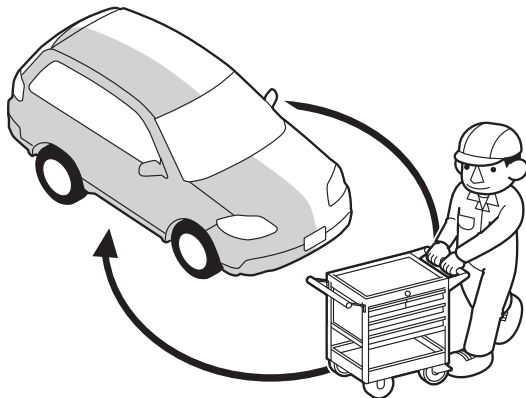
Remove v-shaped nozzle from urethane and insert a new nozzle. Cut a small hole in the end with a 3mm internal diameter.

Now run a bead of MS urethane around outer edge of flare to fill the 1-2mm gap between the flare and vehicle body.



Remove excess urethane with a plastic spatula and wipe off with a clean cloth and prepsol, before leaving for one hour to cure.

If required reclean any residual urethane film off paint and flares with a polishing cloth to achieve a new car paint finish.



QC after installing - Please recheck all screws and clips are tightened and secured.



R V E

Driven by Design

This content is subject to change
for related info visit
www.rve.co.nz/ford-ranger-flares

